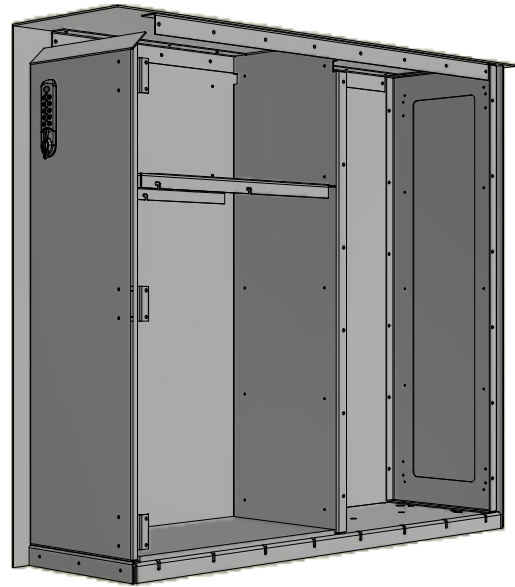
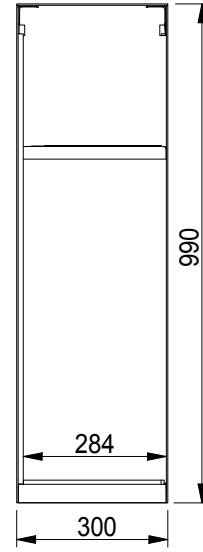
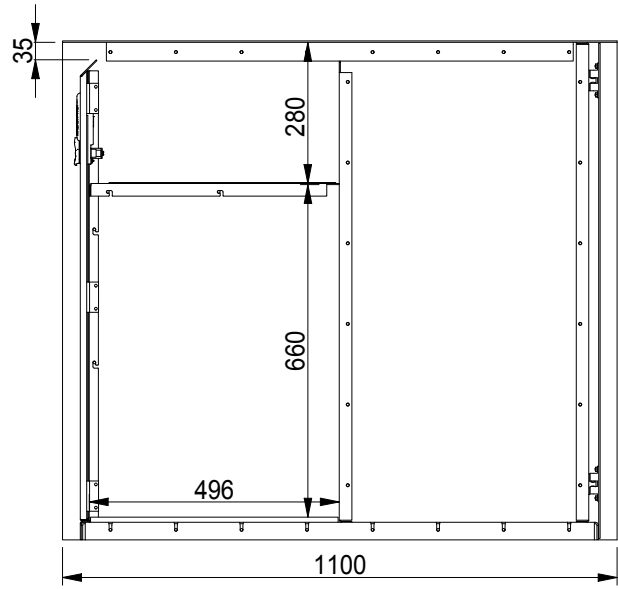
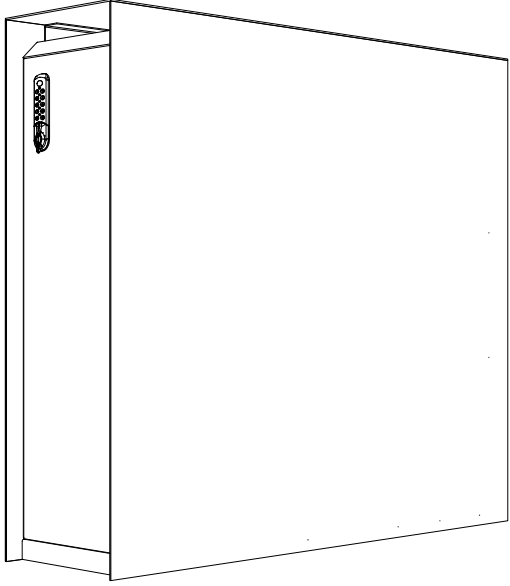
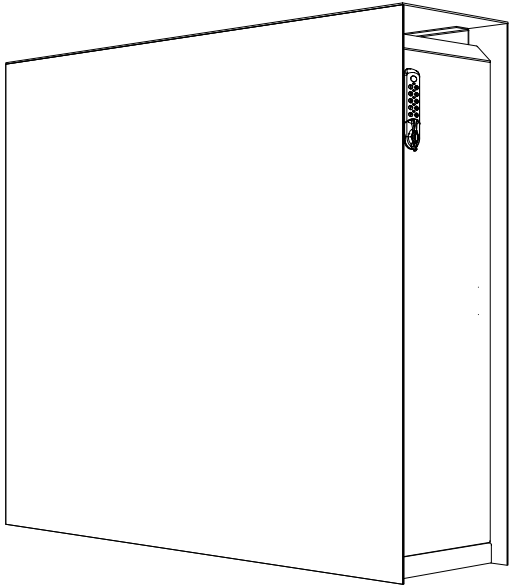
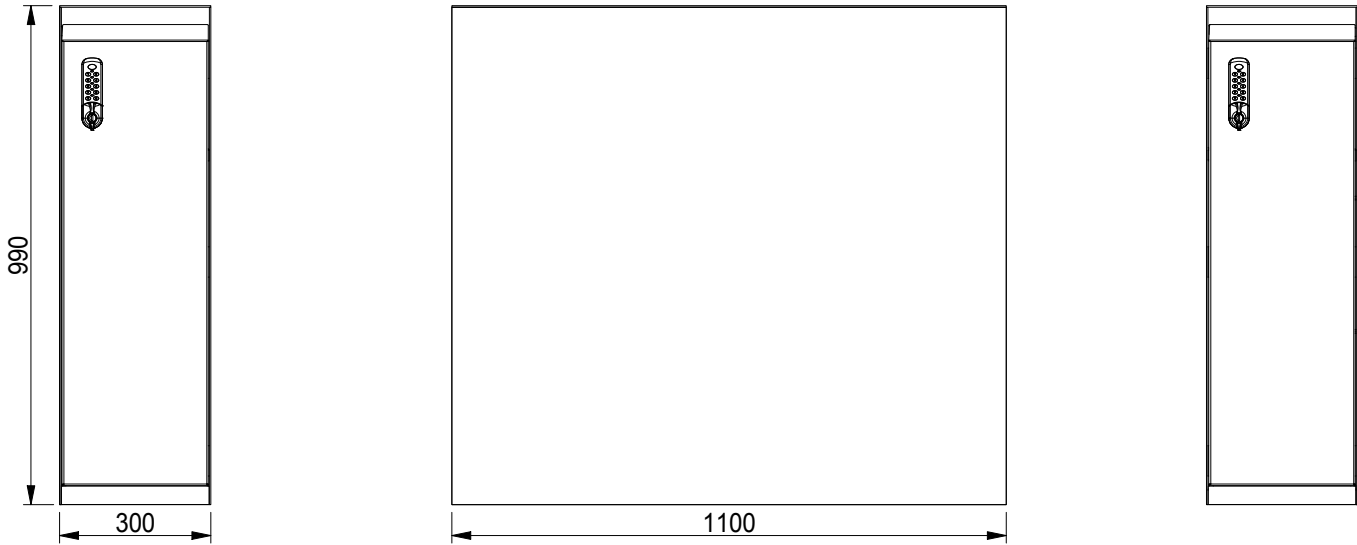


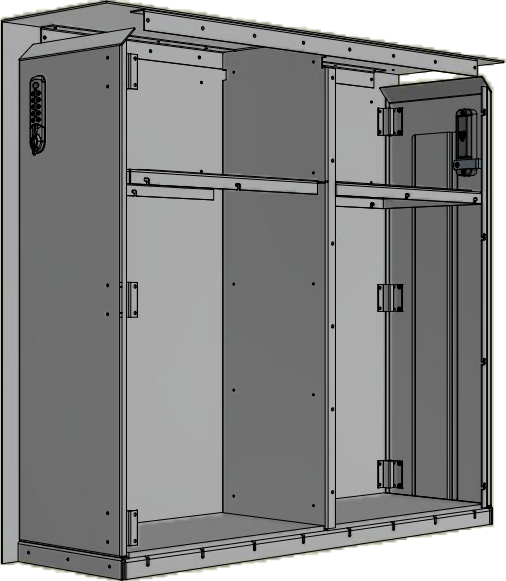
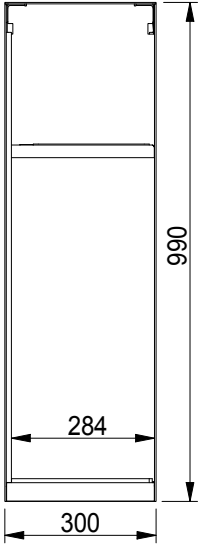
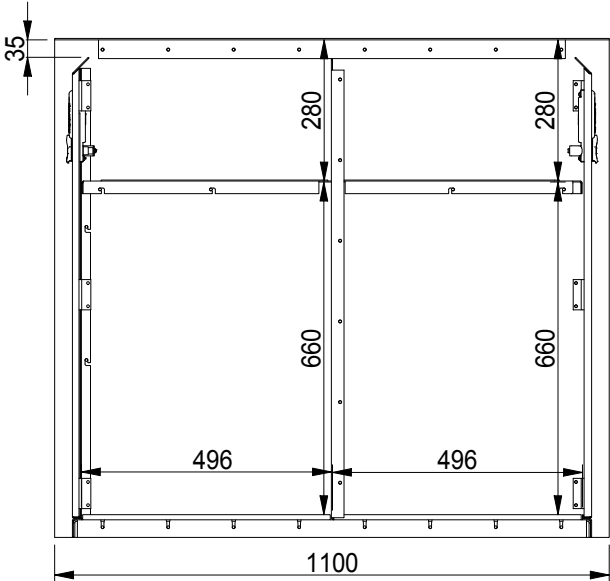
SINGLE + DCL



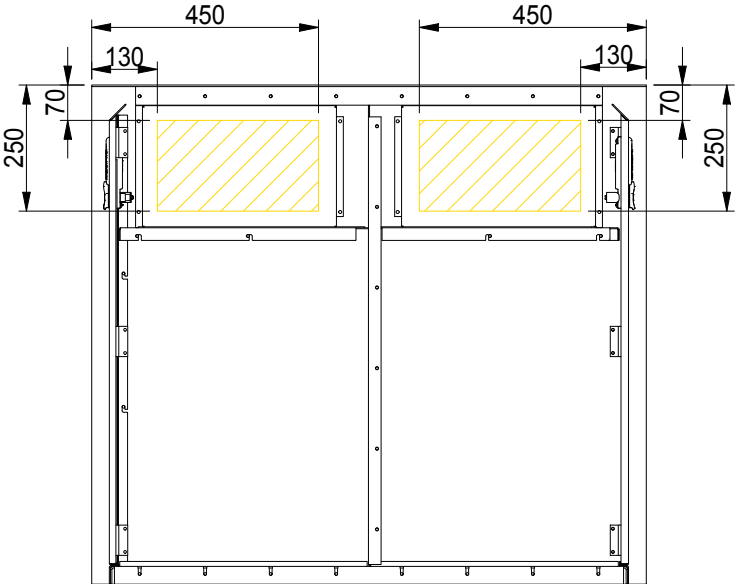
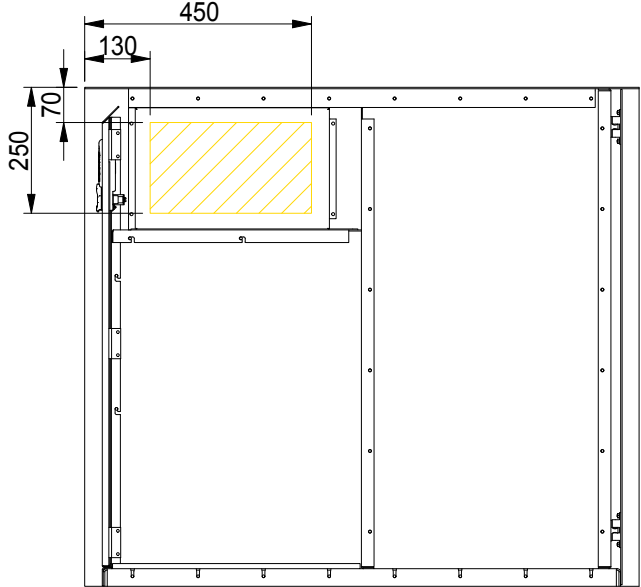
DOUBLE + DCL



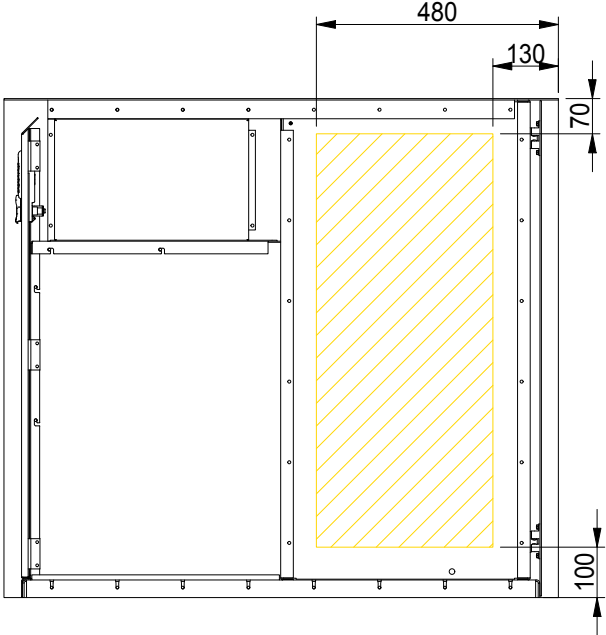
DOUBLE + DCL



OPTION LED NUMBER
max dimensions for lasercutting number



OPTION LED LOGO
max dimensions for lasercutting logo



Voltage range LED		
Spanningsbereik LED		180 ~ 264 VAC
Plage de tension LED		254 ~ 370 VDC
Spannungsbereich LED		