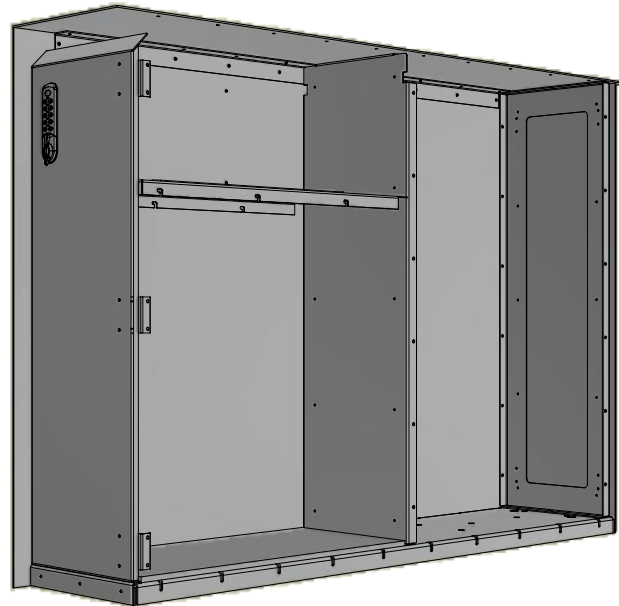
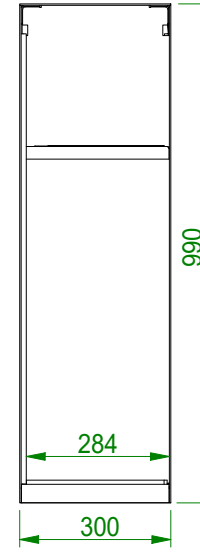
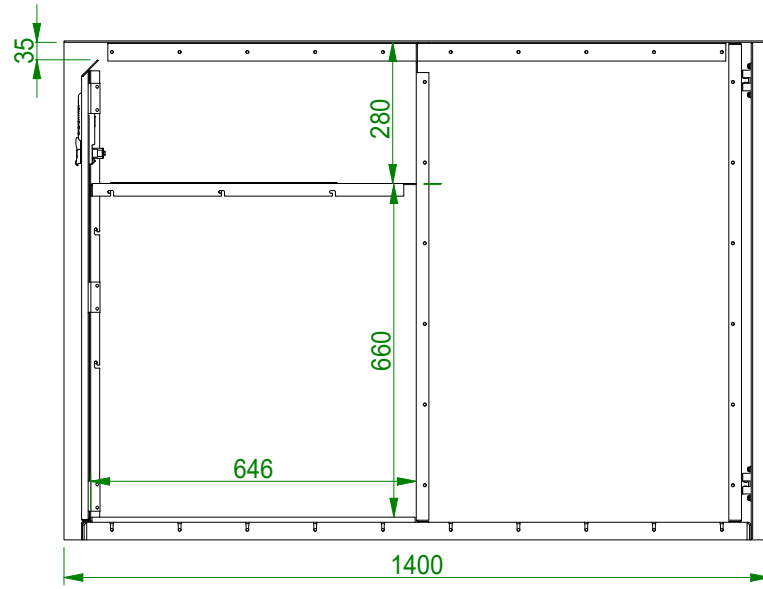
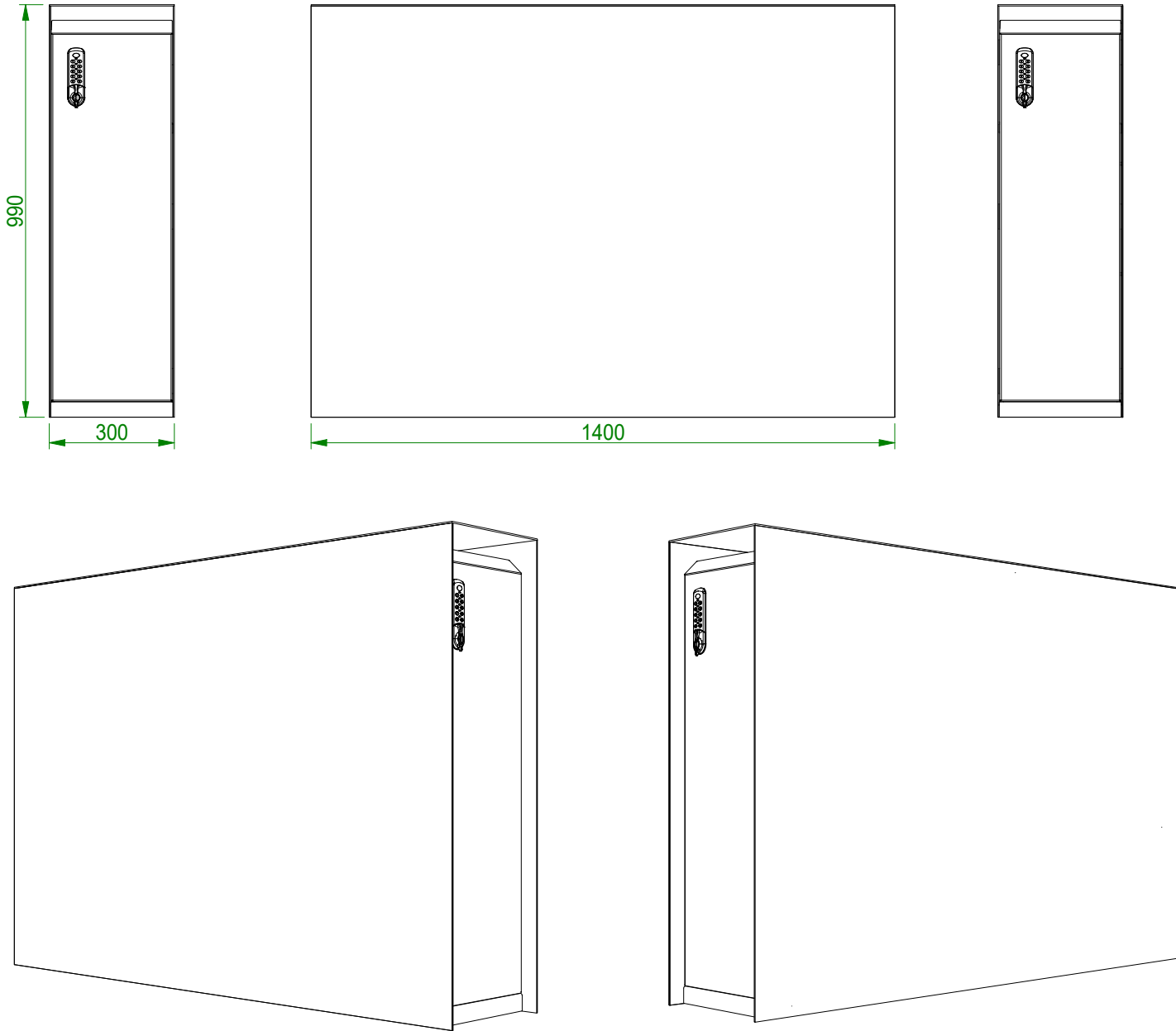


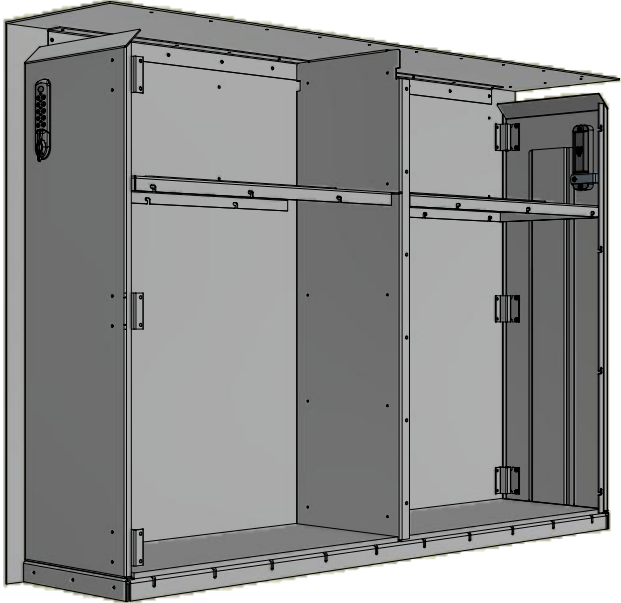
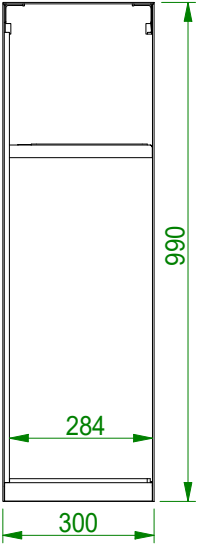
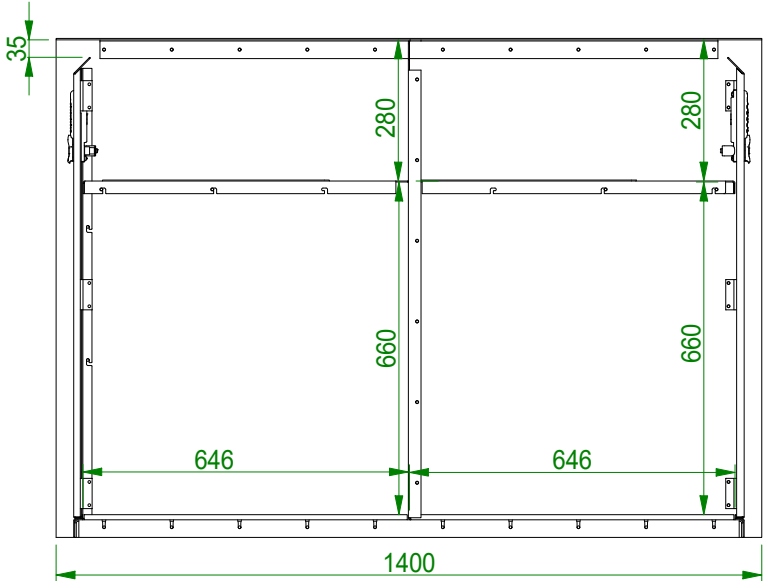
SINGLE + DCL



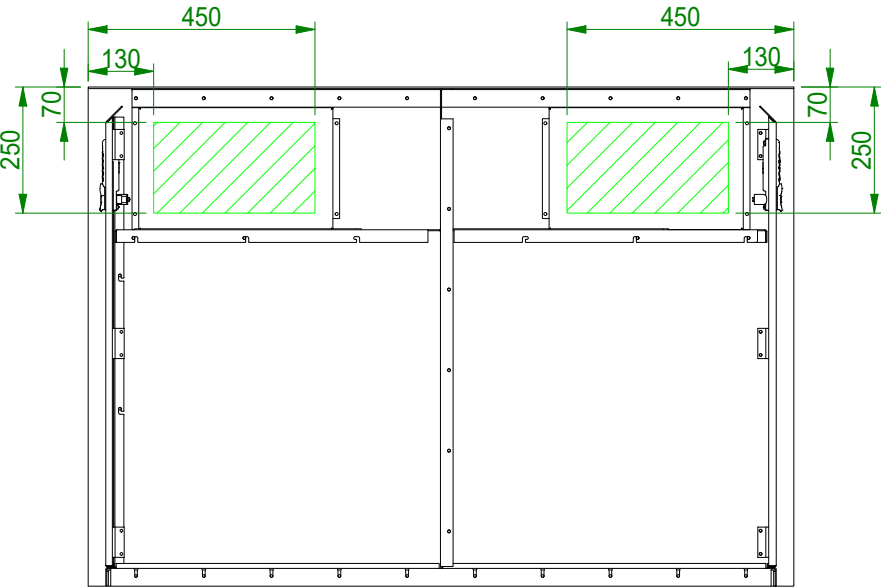
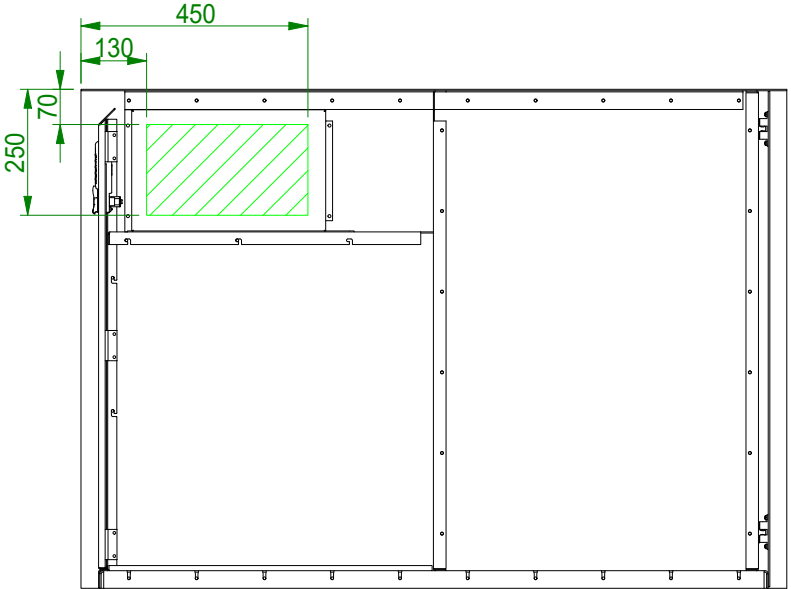
DOUBLE + DCL



DOUBLE + DCL



OPTION LED NUMBER  
max dimensions for lasercutting number



OPTION LED LOGO  
max dimensions for lasercutting logo

